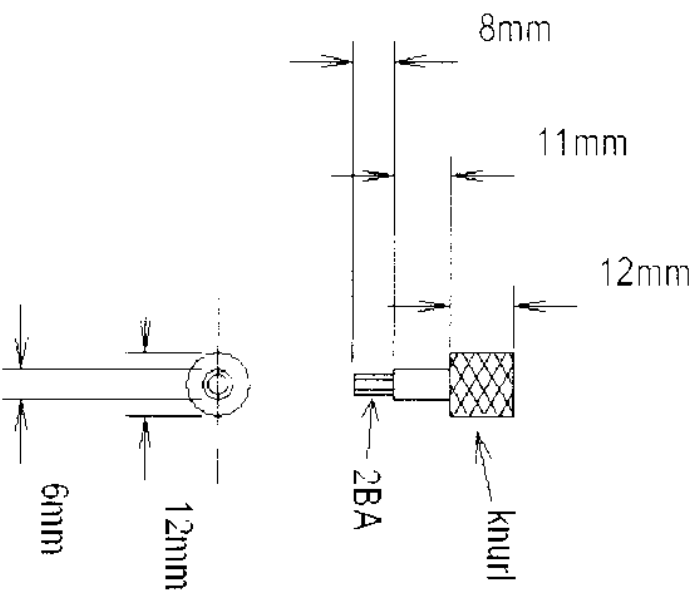
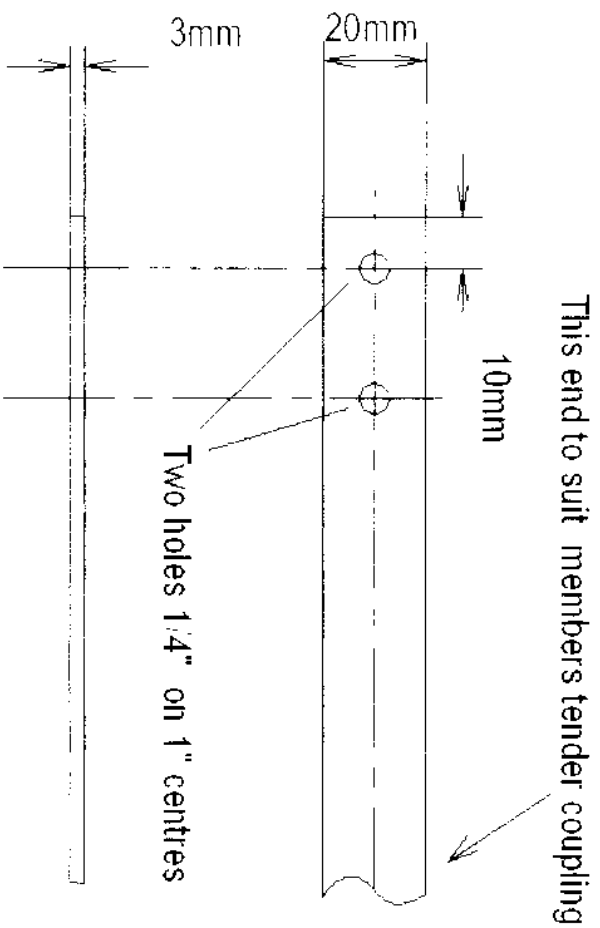


LEYLAND SOCIETY OF MODEL ENGINEERS

Members and visitors will need the coupling and pins shown below to connect to the new passenger trucks:



PIN 20ff MS



COUPLING 1 off MS